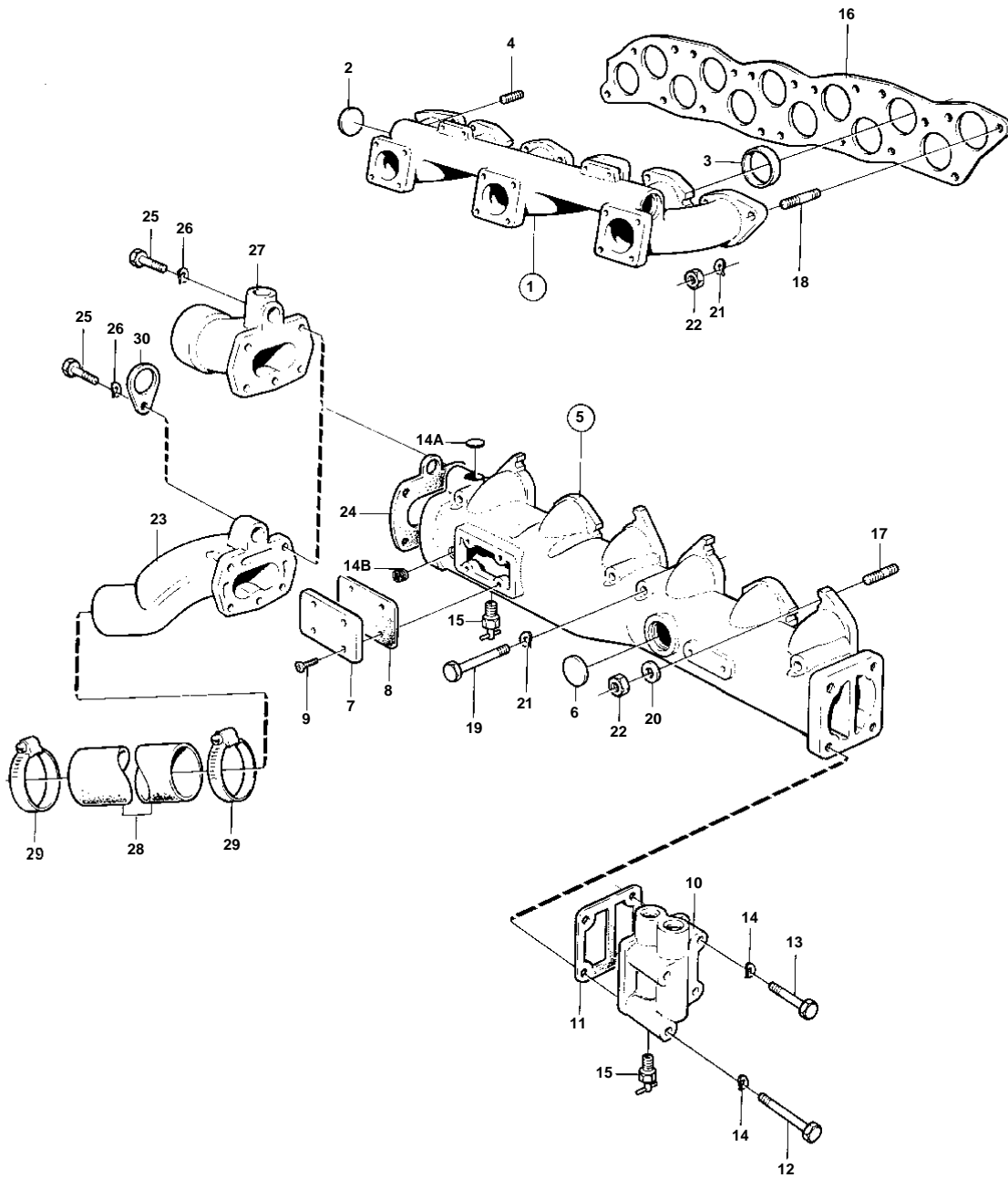


BB165A



5112

BB165A

| REF | PART NO. | QTY | DESCRIPTION | NOTES |
|-----|----------|-----|-----------------------|---|
| 1 | | 1 | Inlet pipe | |
| 2 | | 2 | • Expansion plug | |
| 3 | 418408 | 2 | Guide sleeve | |
| 4 | 16325 | 1 | Plug | |
| 5 | 831521 | 1 | Exhaust pipe | |
| 6 | 192211 | 3 | • Expansion plug | |
| 7 | | 2 | • End cover | |
| 8 | 831518 | 2 | • Gasket | |
| 9 | 950158 | 8 | • Cross recessed sunk | |
| 10 | | 1 | • End plate | |
| 11 | 831073 | 1 | • Gasket | |
| 12 | 955543 | 2 | • Hexagon screw | |
| 13 | 955539 | 2 | • Hexagon screw | |
| 14 | 942336 | 4 | • Spring washer | |
| 14A | 192426 | 1 | • Expansion plug | MO-5802/XXXX |
| 14B | 952076 | 2 | • Plug | MO-5802/XXXX |
| 15 | 82744 | 3 | Shut-off cock | |
| 16 | 461092 | 1 | Gasket | |
| 17 | 953240 | 8 | Stud | L = 40 MM |
| 18 | 953238 | 8 | Stud | L = 38 MM |
| 19 | 959793 | 4 | Hexagon screw | L = 114 MM |
| 20 | 191169 | 8 | Washer | |
| 21 | 941907 | 12 | Spring washer | |
| 22 | 955826 | 16 | Hexagon nut | |
| 23 | | 1 | Exhaust riser | SPEC. 867054, 867132., EARLY TYPE |
| | | 1 | Exhaust riser | SPEC. 867132 ALT, D70BK ALT., LATE TYPE |
| 24 | 831480 | 1 | Gasket | SPEC. 867054, 867132., EARLY TYPE |
| | 831330 | 1 | Gasket | SPEC. 867132 ALT, D70BK ALT., LATE TYPE |
| 25 | 955535 | 3 | Hexagon screw | SPEC. 867054, 867132., EARLY TYPE |
| | 955535 | 5 | Hexagon screw | SPEC. 867132 ALT, D70BK ALT., LATE TYPE |
| 26 | 942336 | 3 | Spring washer | SPEC. 867054, 867132., EARLY TYPE |
| | 942336 | 5 | Spring washer | SPEC. 867132 ALT, D70BK ALT., LATE TYPE |
| 27 | | 1 | Exhaust pipe flange | SPEC. 867054, 867132., EARLY TYPE, SPEC VERSION |
| | | 1 | Exhaust pipe flange | SPEC. 867132 ALT, D70BK ALT., LATE TYPE, SPEC VERSION |
| 28 | 952986 | X | Hose | L = 130 MM |
| 29 | 943482 | 2 | Hose clamp | (951799) |
| 30 | | 1 | LIFT EYE | LATE TYPE |